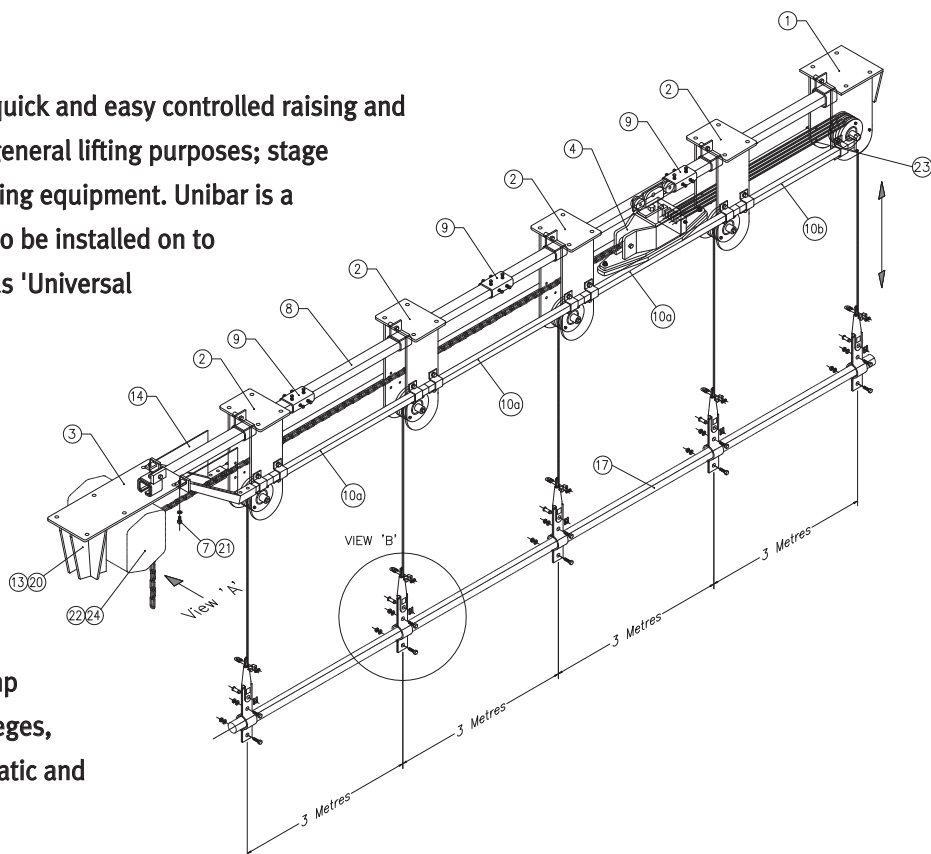




**T**he Unibar system allows for the quick and easy controlled raising and lowering of suspension bars for general lifting purposes; stage scenery, curtains, speakers and lighting equipment. Unibar is a flexible user-friendly unit, designed to be installed on to any style of fixing or structure such as 'Universal Beams', Trussing and Channels. See installation guide for loads and recommendations. A competent person must ensure installation integrity with existing structures. Unibar is a cost effective alternative to electrically operated pile-wind winches whilst also providing an alternative to manual winch and hemp sets. Unibar is ideal for schools, colleges, sports halls, theatres, amateur dramatic and touring applications.



**Features and benefits**

The Unibar has been designed to support up to five suspension cables with standard units available in 3 line, 4 line and 5 line configurations.

Adjustable working top and bottom electrical limits contained within the Unibar's motor control determine the top and bottom limits of travel of the suspension bar.

The Unibar is designed to allow two units to be positioned back to back a 320mm centres.

Up and down emergency stop control of the Unibar is via a hanging hand pendant control, or a wall mounted panel.

The Chain Hoist has an 8:1 safety factor. If a 10:1 safety factor is required, the maximum safe working load would be 320kg.

For added safety the start stop control is key operated.

The Unibar is designed with all of the suspension fixings level and uniform fixing centres; allowing quick and easy fitting in any situation.

The Unibar hauling chain runs out of the chain hoist and is attached to a guided horizontally travelling clew. Attached to the clew is also a series of suspension cables which pass around ball raced return, guide and drop pulleys terminating at a suspension bar with height adjustable clamps.

As an additional safety measure, in the unlikely event of upper limit failure an independent chain stop will prevent the suspension bar from rising above the intended position.

**Data on Chain Hoists**

Each chain hoist has as standard:

- Adjustable internal limits to control the extremities of travel.
- Wear resistant overload slip clutch; with asbestos free lining.
- Heat treated gears in oil bath.
- Wear resistant brake (no resetting necessary).
- Load chain to Din 5684 cadmium plated, grade 8.
- Motor protection to IP54.
- Motor insulation to grade F.

**Unibar range**

| Product No. | Lines/ Unit | Bar Lgth | Chain Hoist Model | Capacity | Voltage | Duty Cycle | Motor Power | Full Load Current | Lifting Speed /min. | Height of Lift m | Self Weight |
|-------------|-------------|----------|-------------------|----------|---------|------------|-------------|-------------------|---------------------|------------------|-------------|
| 3L3250      | 3           | 8M       | GCH500/IN         | 250kg    | 415/3ph | 60%        | 0.82kw      | 2.1A              | 9M                  | 5.9M             | 119kg       |
| 4L3250      | 4           | 10M      | GCH500/IN         | 250kg    | 415/3ph | 60%        | 0.82kw      | 2.1A              | 9M                  | 8.9M             | 147kg       |
| 5L3250      | 5           | 12M      | GCH500/IN         | 250kg    | 415/3ph | 60%        | 0.82kw      | 2.1A              | 9M                  | 11.9M            | 177kg       |
| 3L1250      | 3           | 8M       | GCH500/IN         | 250kg    | 220/1   | 40%        | 0.42kw      | 4.9A              | 9M                  | 5.9M             | 119kg       |
| 4L1250      | 4           | 10M      | GCH500/IN         | 250kg    | 220/1   | 40%        | 0.42kw      | 4.9A              | 9M                  | 8.9M             | 147kg       |
| 5L1250      | 5           | 12M      | GCH500/IN         | 250kg    | 220/1   | 40%        | 0.42kw      | 4.9A              | 9M                  | 11.9M            | 177kg       |
| 3L3500      | 3           | 8M       | GCH500/IN         | 400kg    | 415/3ph | 30%        | 0.82kw      | 2.1A              | 9M                  | 5.9M             | 119kg       |
| 4L3500      | 4           | 10M      | GCH500/IN         | 400kg    | 415/3ph | 30%        | 0.82kw      | 2.1A              | 9M                  | 8.9M             | 147kg       |
| 5L3500      | 5           | 12M      | GCH500/IN         | 400kg    | 415/3ph | 30%        | 0.82kw      | 2.1A              | 9M                  | 11.9M            | 177kg       |
| 3L1500      | 3           | 8M       | GCH500/IN         | 400kg    | 220/1   | 25%        | 0.42kw      | 6.4A              | 4.5M                | 5.9M             | 119kg       |
| 4L1500      | 4           | 10M      | GCH500/IN         | 400kg    | 220/1   | 25%        | 0.42kw      | 6.4A              | 4.5M                | 8.9M             | 147kg       |
| 5L1500      | 5           | 12M      | GCH500/IN         | 400kg    | 220/1   | 25%        | 0.42kw      | 6.4A              | 4.5M                | 11.9M            | 177kg       |

